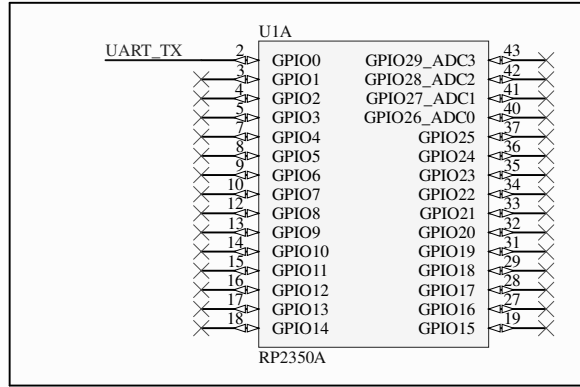
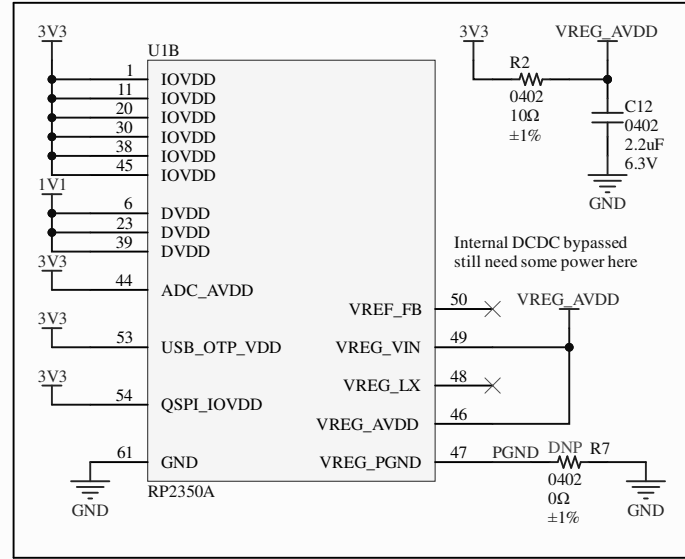


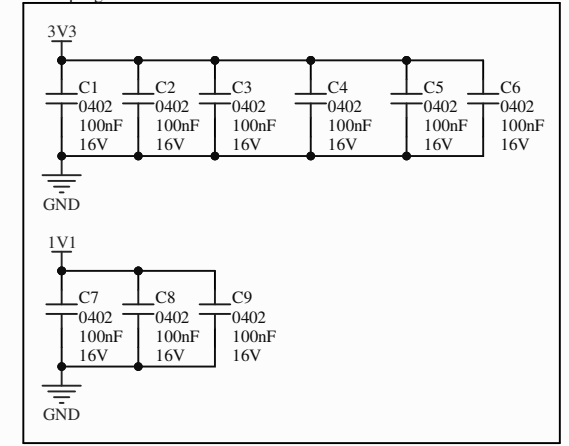
I/Os



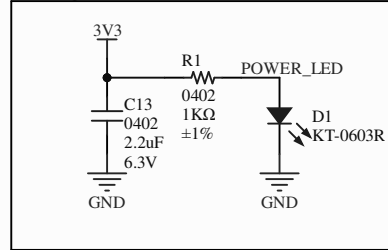
DUT Power



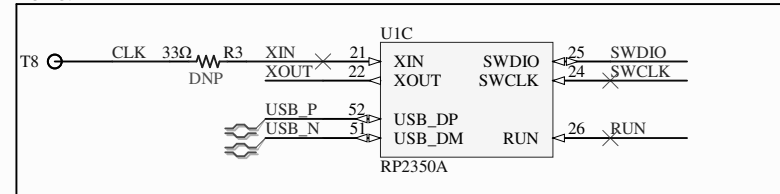
Decoupling



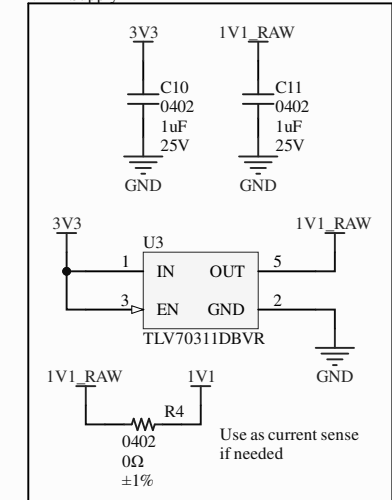
Power input



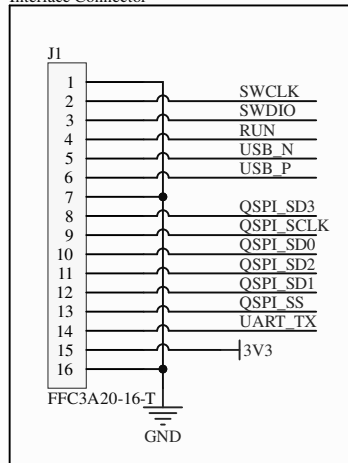
DUT Ctrl



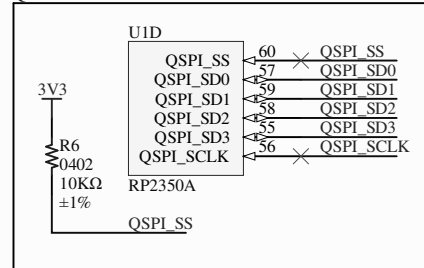
VDD Supply



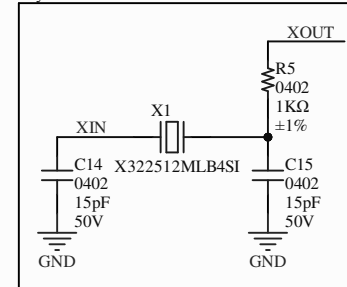
Interface Connector



QSPI Interface



Crystal



Project: RP2350-Backside			
File: RP2350_backside_rev3.SchDoc			
Size: A4	Notes:	Revision: 3.0	
Date: 08/10/2024	Sheet: 1 of 1		
This work is licensed under a Creative Commons Attribution-ShareAlike 4.0 International License.			