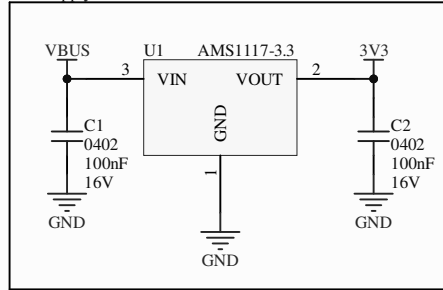
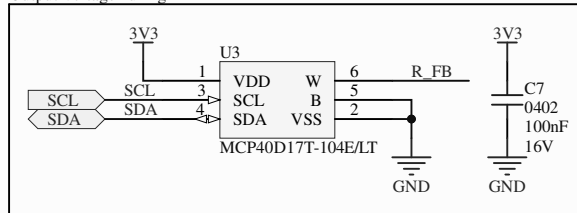


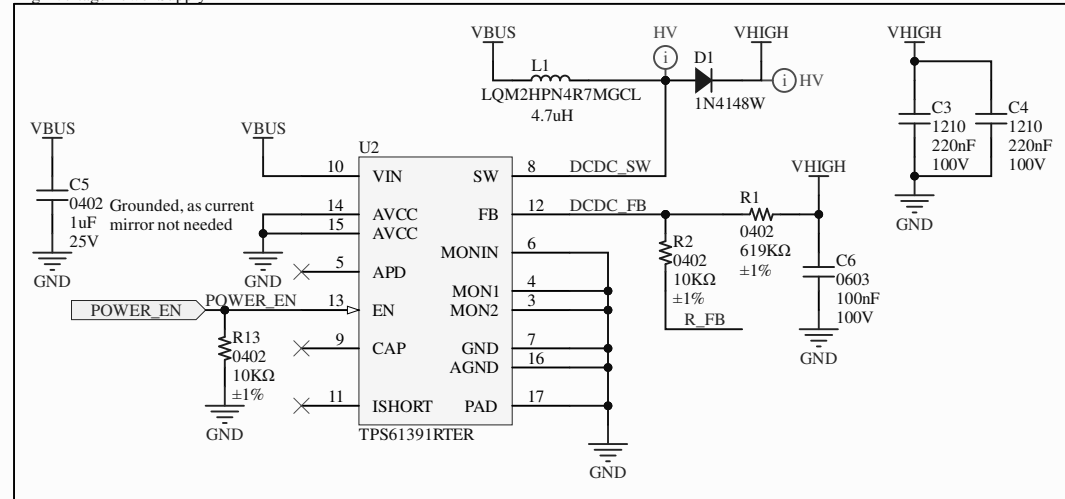
3V3 Supply




Output Voltage Tuning

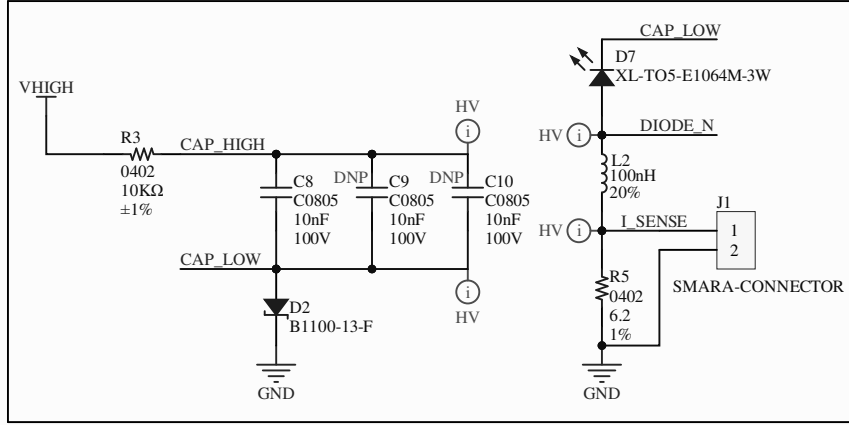


High Voltage Power Supply

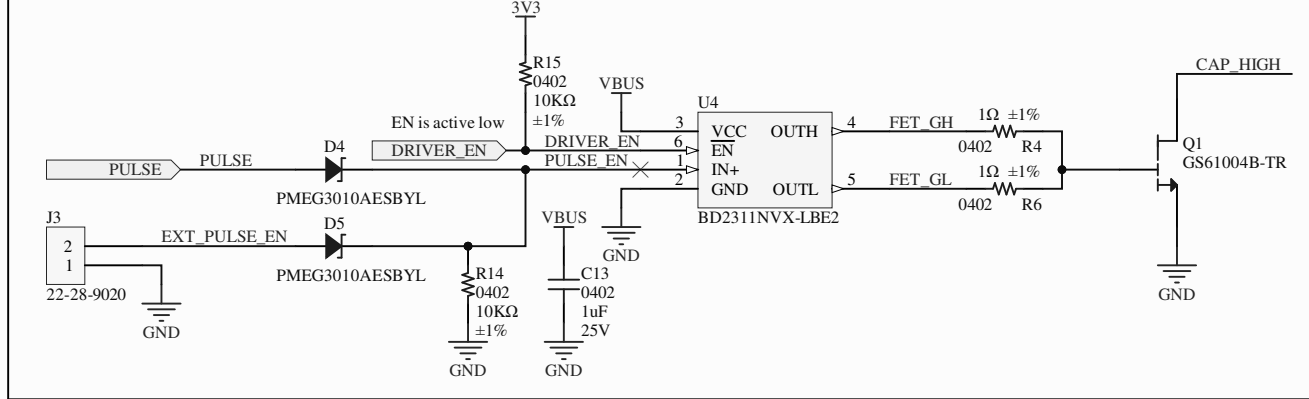


|  |                  |   |  |
|--|------------------|---|--|
| Project:<br>Laser-Pulser   |                  |  |  |
| File:<br>POWER.SchDoc  |                  |   |  |
| Size:<br>A4  | Notes:           | Revision:<br>2.0  |  |
| Date:<br>19/10/2024  | Sheet:<br>1 of 3 |   |  |
| This work is licensed under a Creative Commons Attribution-ShareAlike 4.0 International License. |                  |   |  |

Diode Driver Resonant Circuit

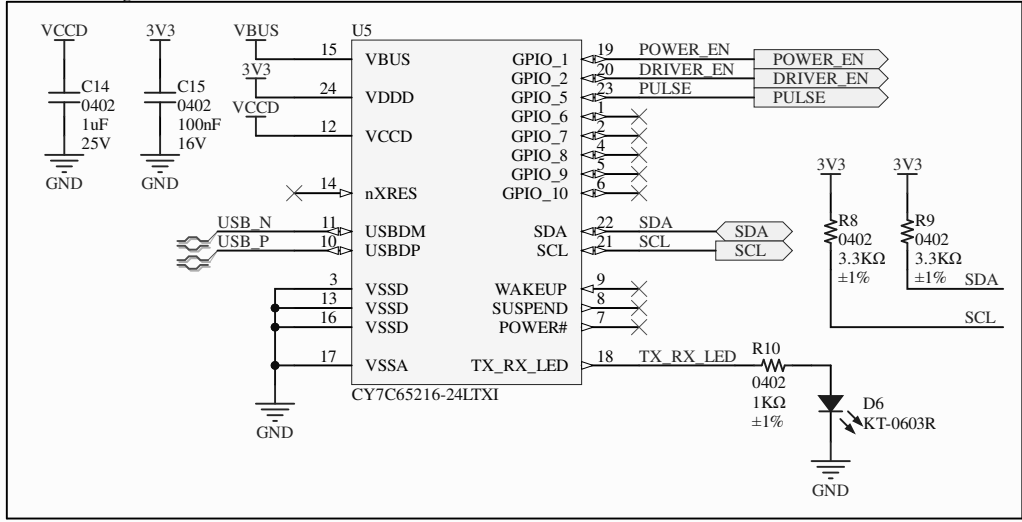


Switch

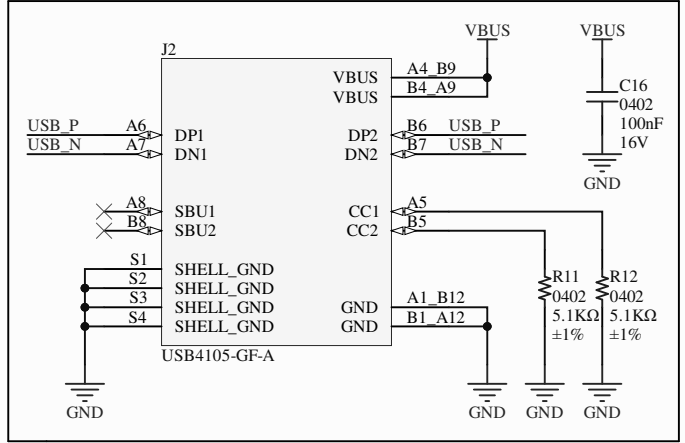


|  |        |               |  |
|--|--------|---------------|--|
| Project: Laser-Pulser  |        |               |  |
| File: PULSER.SchDoc  |        |               |  |
| Size: A4   | Notes: | Revision: 2.0 |  |
| Date: 19/10/2024   |        | Sheet: 2 of 3 |  |
| This work is licensed under a Creative Commons Attribution-ShareAlike 4.0 International License. |        |               |  |

USB to I2C Bridge



USB Connector



|  |        |               |  |
|--|--------|---------------|--|
| Project: Laser-Pulser  |        |               |  |
| File: CONTROL_SchDoc   |        |               |  |
| Size: A4   | Notes: | Revision: 2.0 |  |
| Date: 19/10/2024   |        | Sheet: 3 of 3 |  |
| This work is licensed under a Creative Commons Attribution-ShareAlike 4.0 International License. |        |               |  |