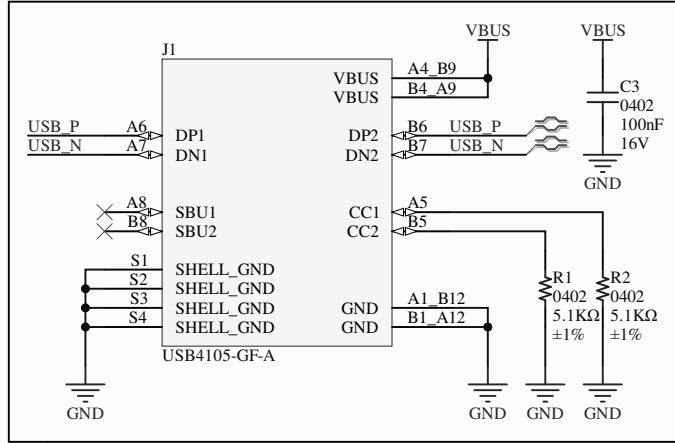
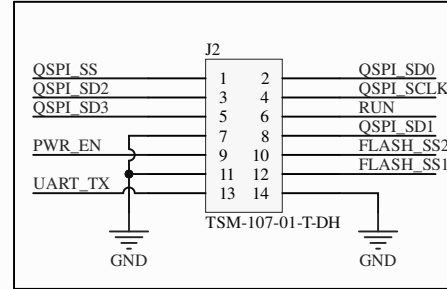


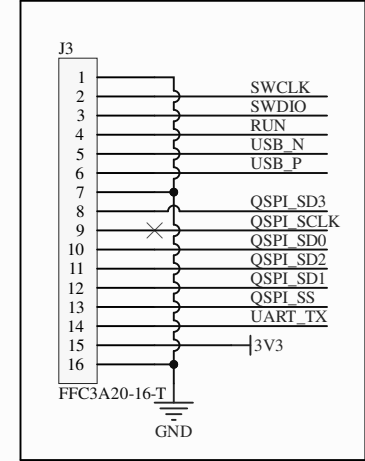
USB Connector



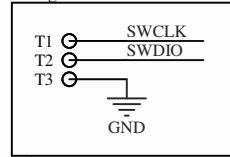
FPGA Connector



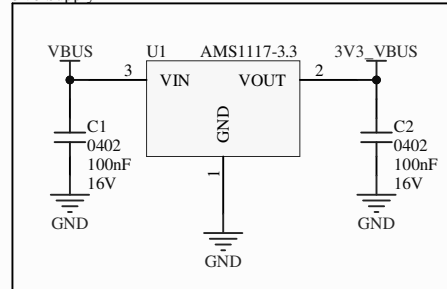
Interface Connector



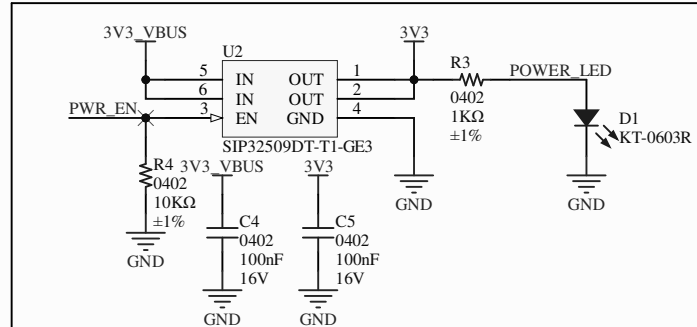
Debug



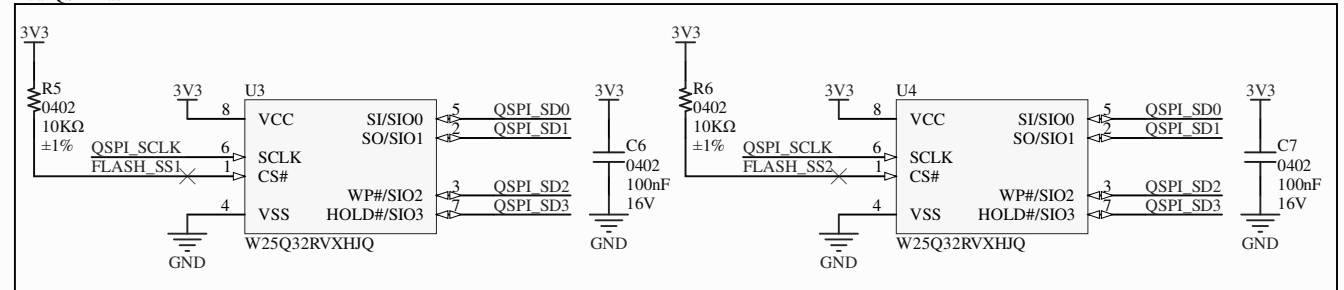
3V3 Supply



Power switch circuit



Dual QSPI Flash



Project: RP2350-Backside-IO			
File: RP2350_backside_io_rev2.SchDoc			
Size: A4	Notes:	Revision: 2.0	
Date: 08/10/2024	Sheet: 1 of 1		
This work is licensed under a Creative Commons Attribution-ShareAlike 4.0 International License.			