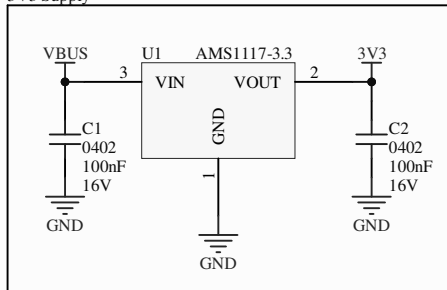
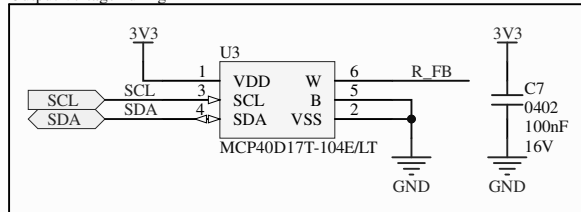


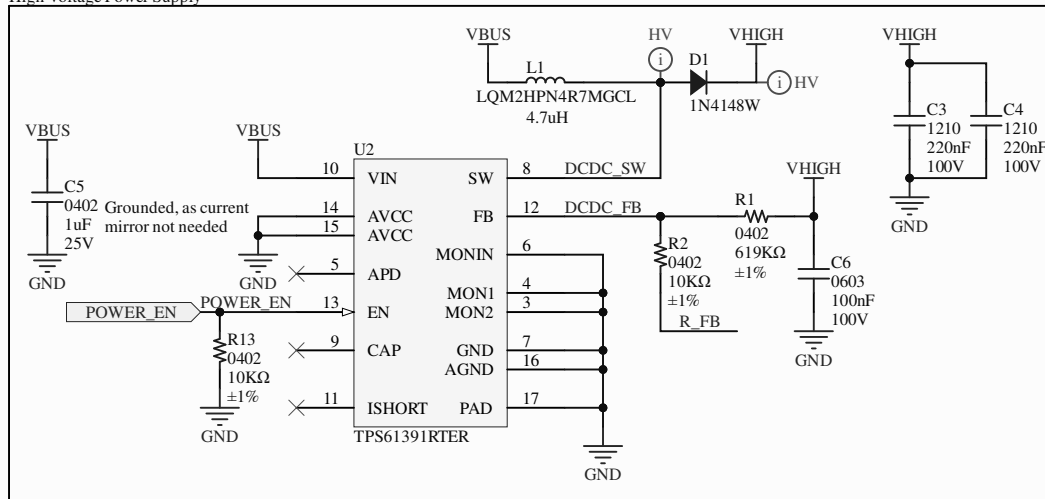
3V3 Supply




Output Voltage Tuning

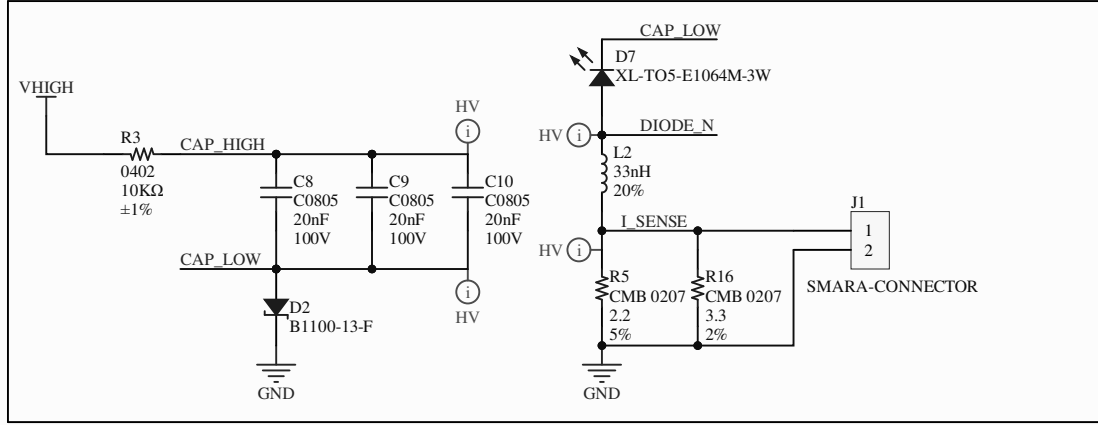


High Voltage Power Supply

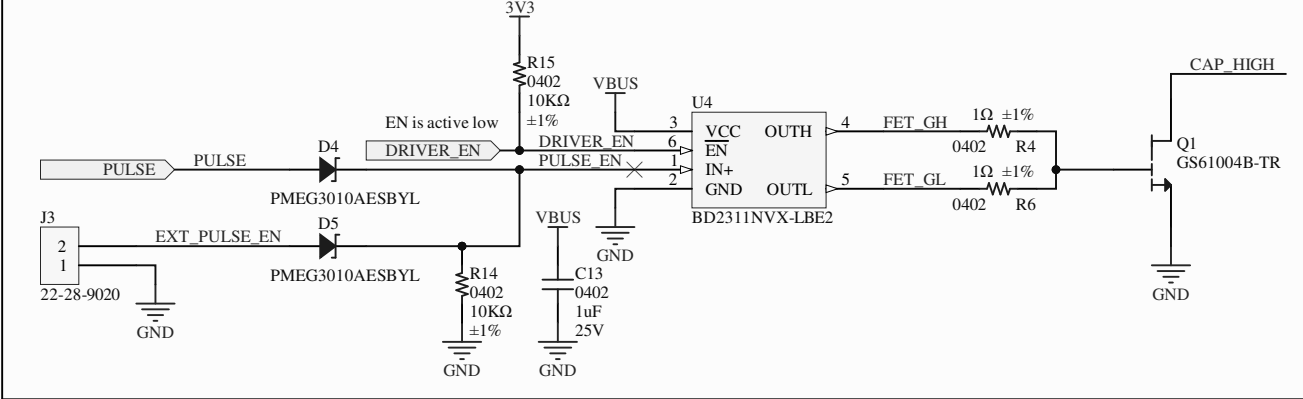


Project: Laser-Pulser			
File: POWER.SchDoc			
Size: A4	Notes:	Revision: 3.0	
Date: 07/12/2024		Sheet: 1 of 3	
This work is licensed under a Creative Commons Attribution-ShareAlike 4.0 International License.			

Diode Driver Resonant Circuit

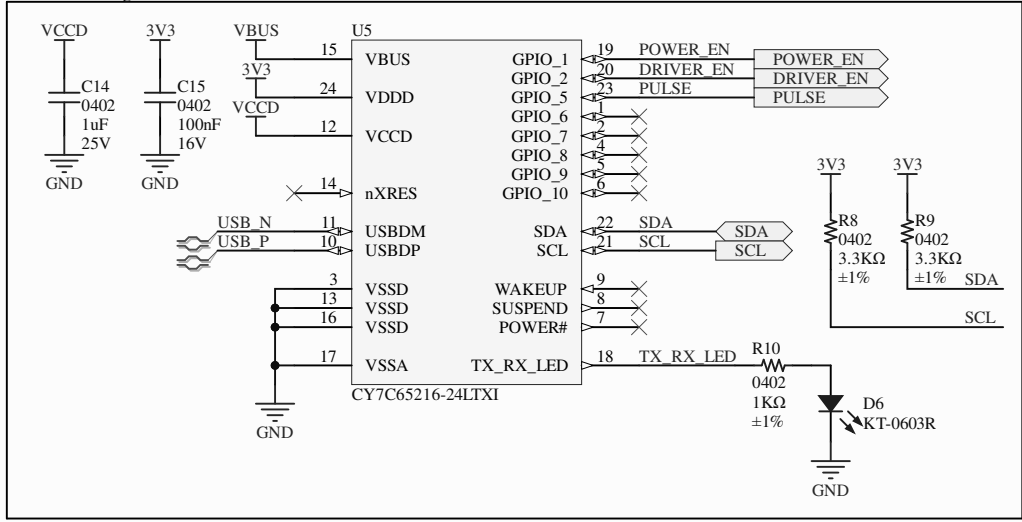


Switch

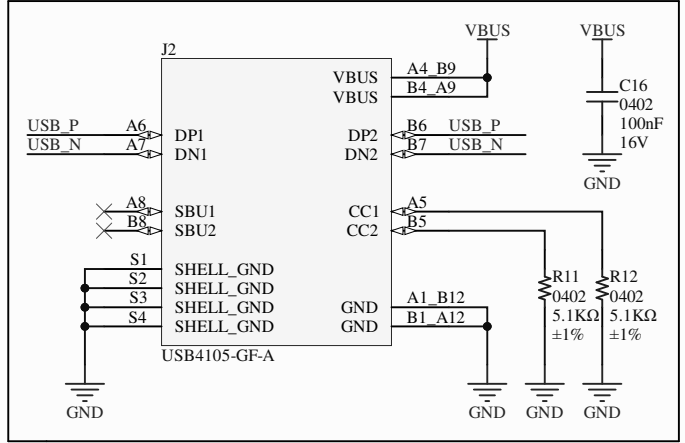


Project: Laser-Pulser			
File: PULSER.SchDoc			
Size: A4	Notes:	Revision: 3.0	
Date: 07/12/2024		Sheet: 2 of 3	
This work is licensed under a Creative Commons Attribution-ShareAlike 4.0 International License.			

USB to I2C Bridge



USB Connector



Project: Laser-Pulser			
File: CONTROL_SchDoc			
Size: A4	Notes:	Revision: 3.0	
Date: 07/12/2024		Sheet: 3 of 3	
This work is licensed under a Creative Commons Attribution-ShareAlike 4.0 International License.			