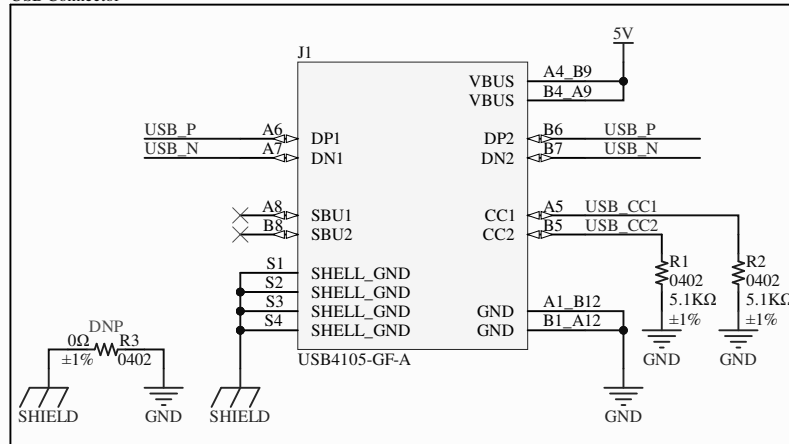
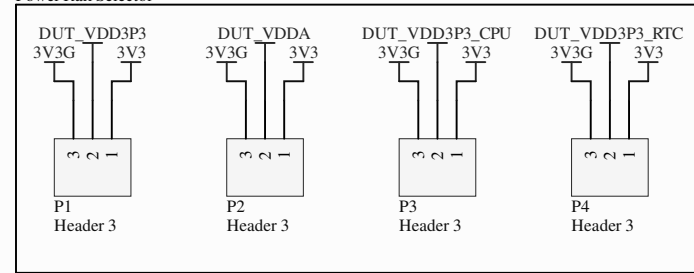


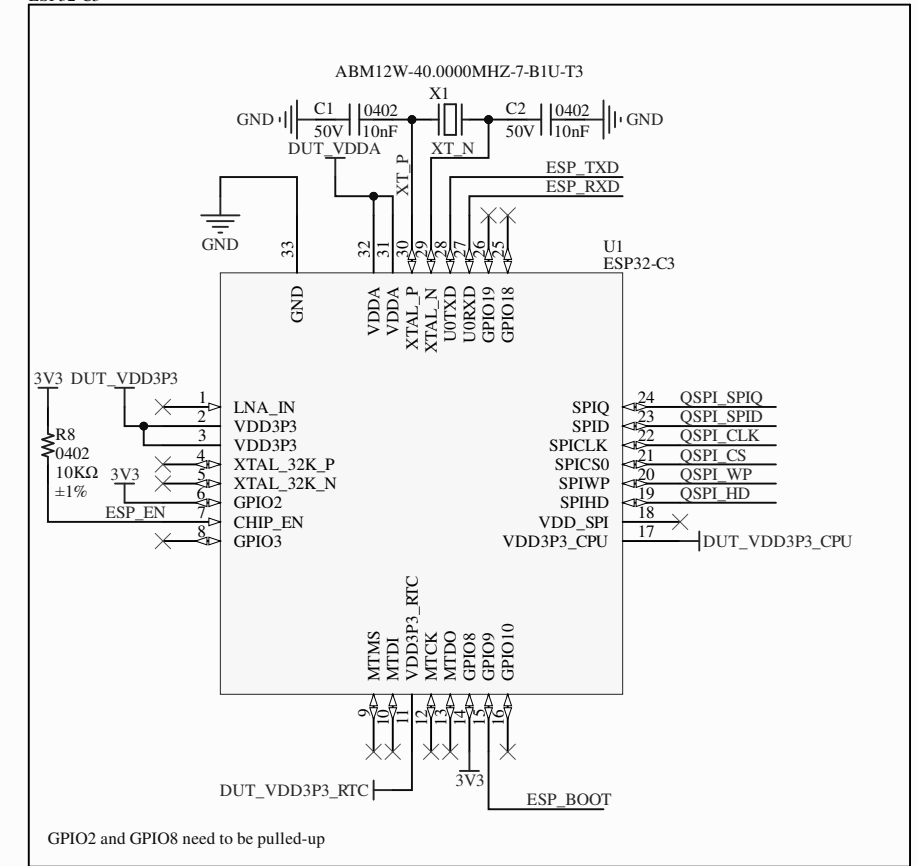
USB Connector



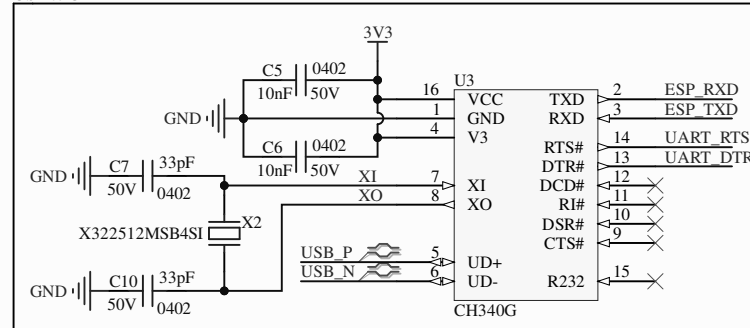
Power Rail Selector



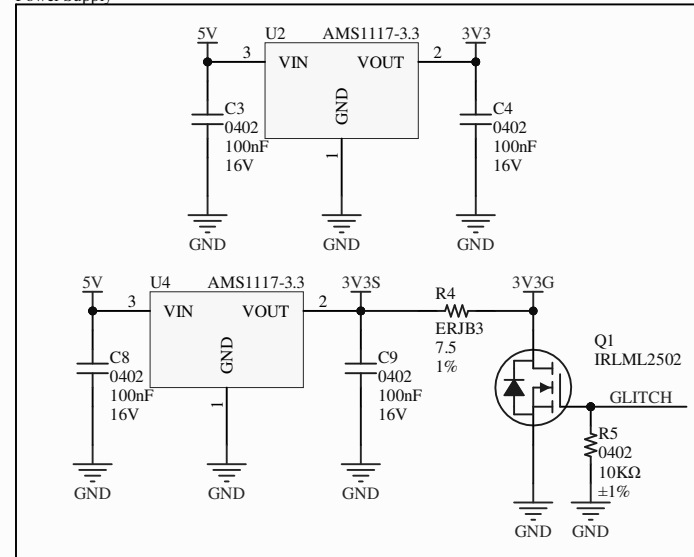
ESP32-C3



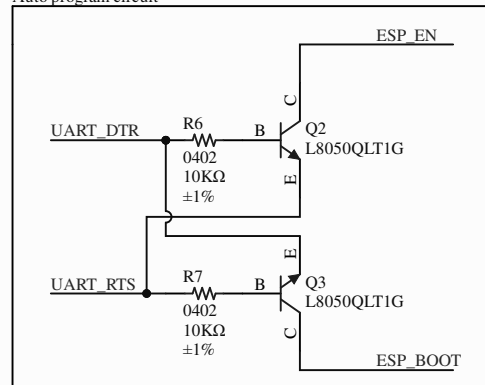
USB to UART



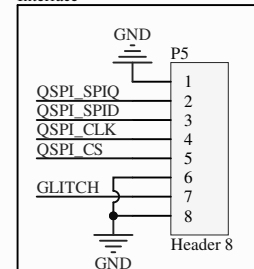
Power Supply



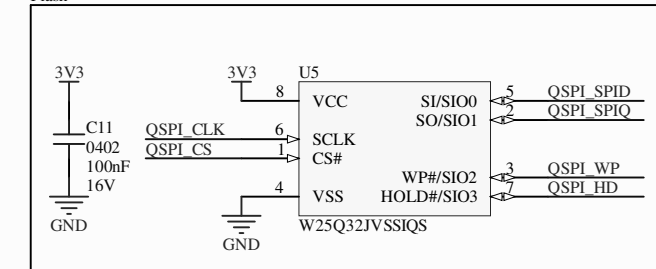
Auto program circuit



Interface



Flash



Project: ESP32C3_FI_Poc			
File: ESP32C3_FI_PoC.SchDoc			
Size: A4	Notes:	Revision: 1.0	
Date: 26/08/2023	Sheet: 1 of 1		
This work is licensed under a Creative Commons Attribution-ShareAlike 4.0 International License.			