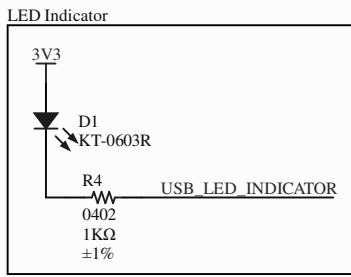
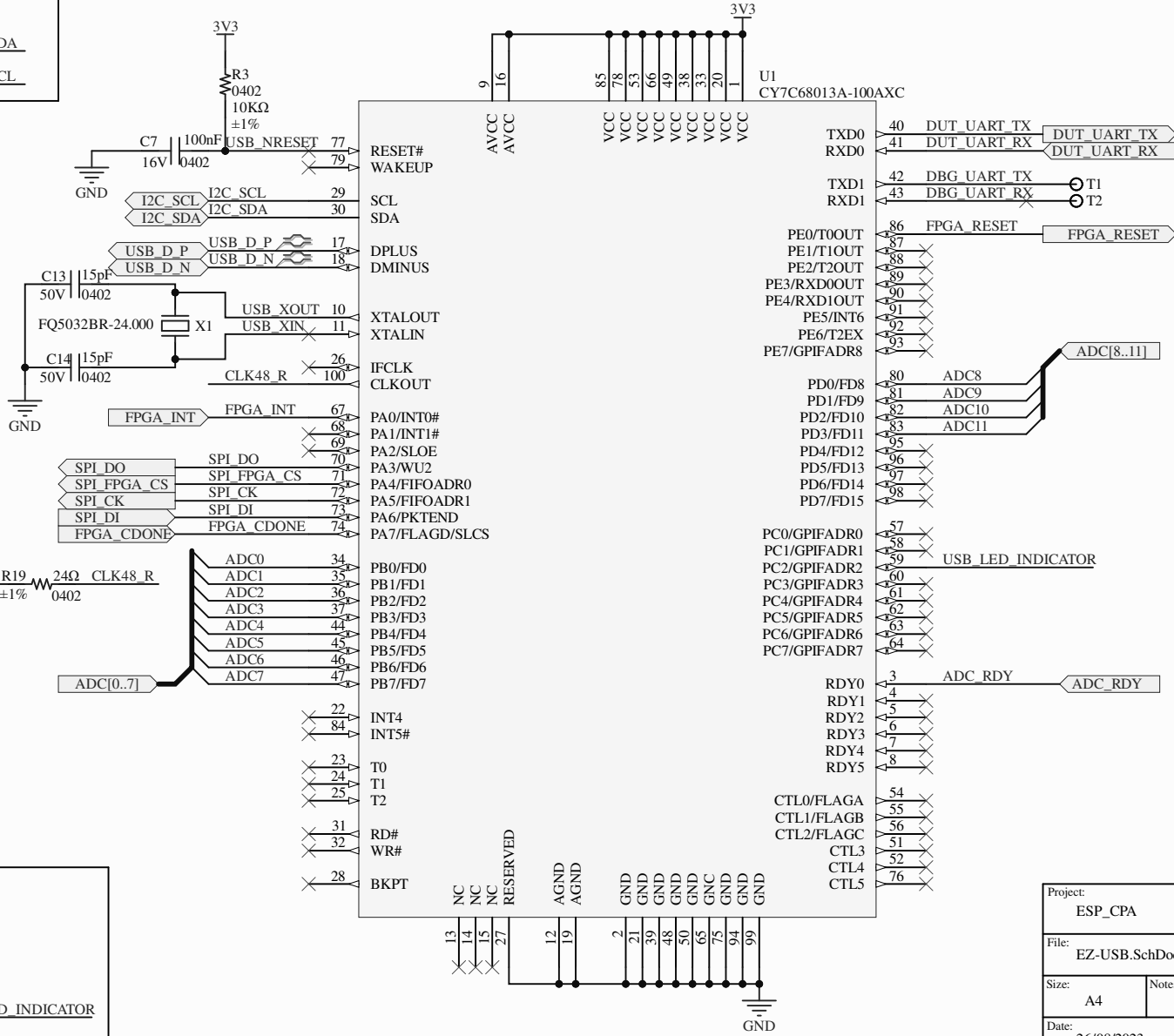
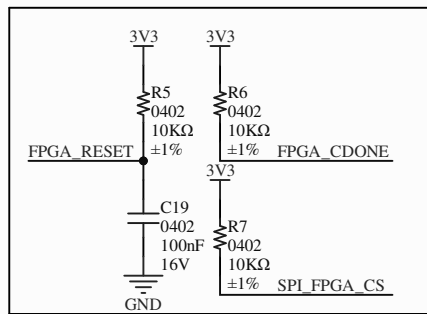


I2C Biasing

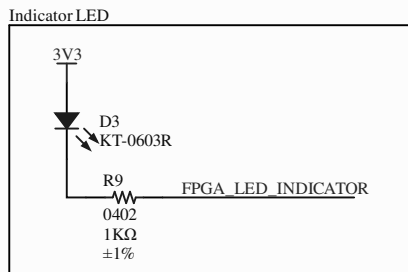
Decoupling



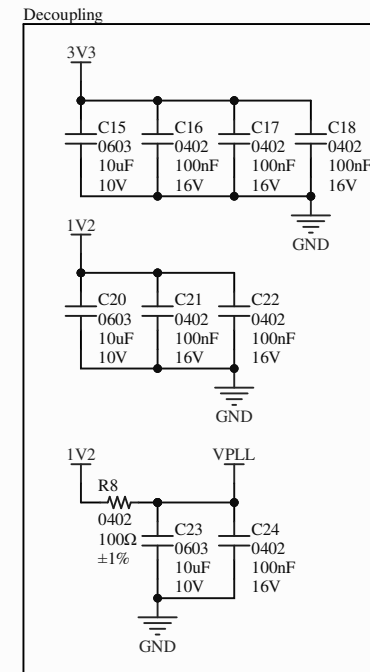
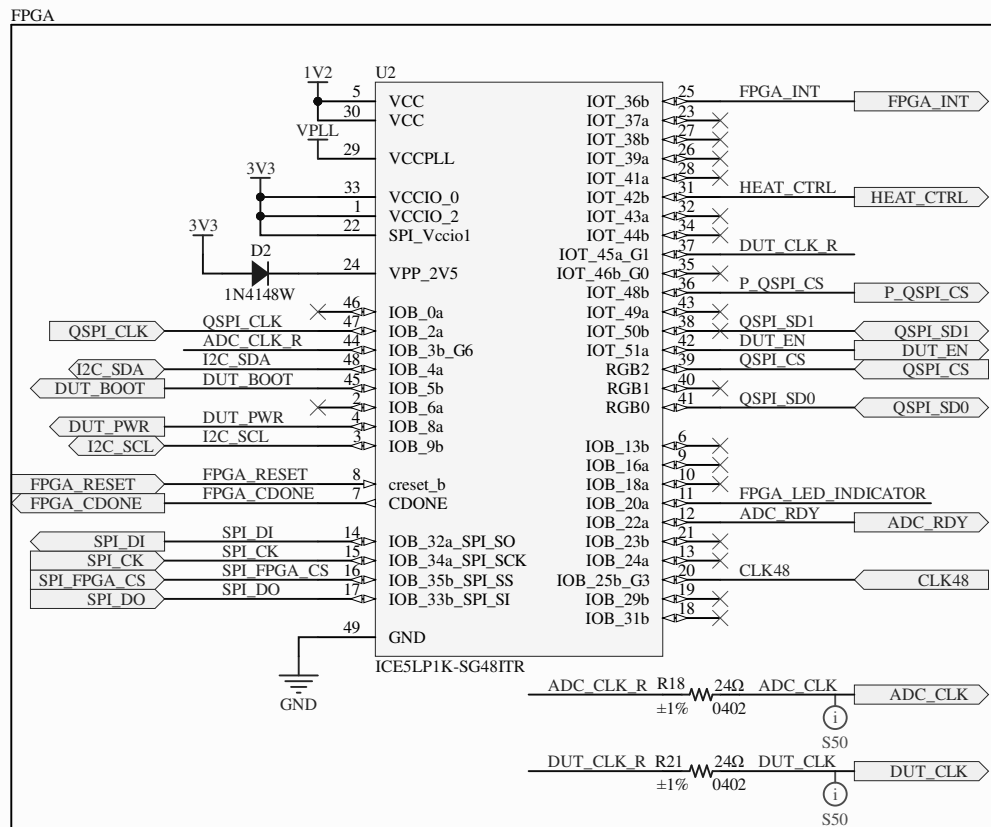
Project: ESP_CPA		
File: EZ-USB.SchDoc		
Size: A4	Notes:	Revision: 2.1
Date: 26/08/2023	Sheet: 1 of 6	
This work is licensed under a Creative Commons Attribution-ShareAlike 4.0 International License.		



Biasing



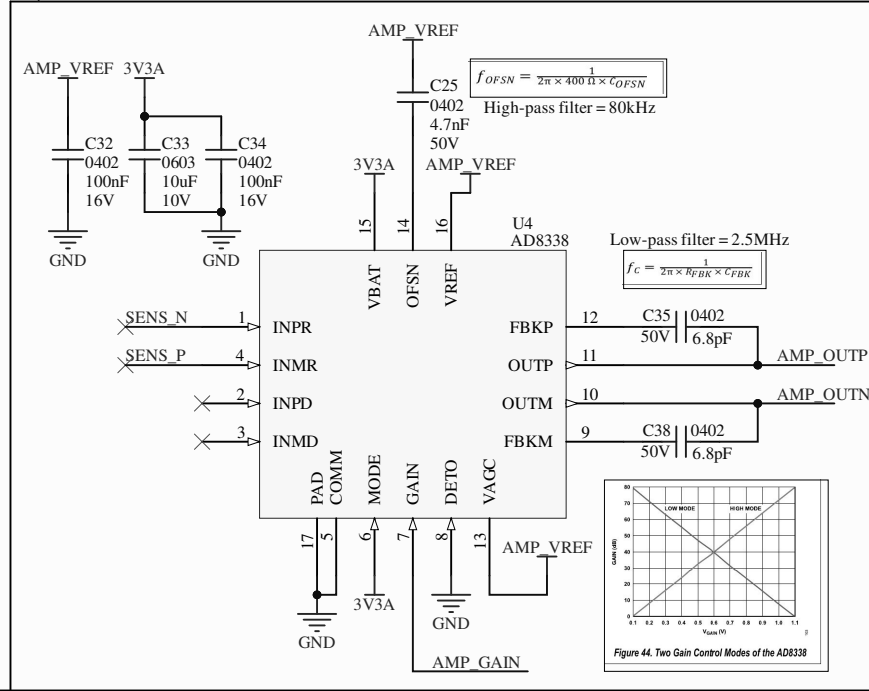
Indicator LED



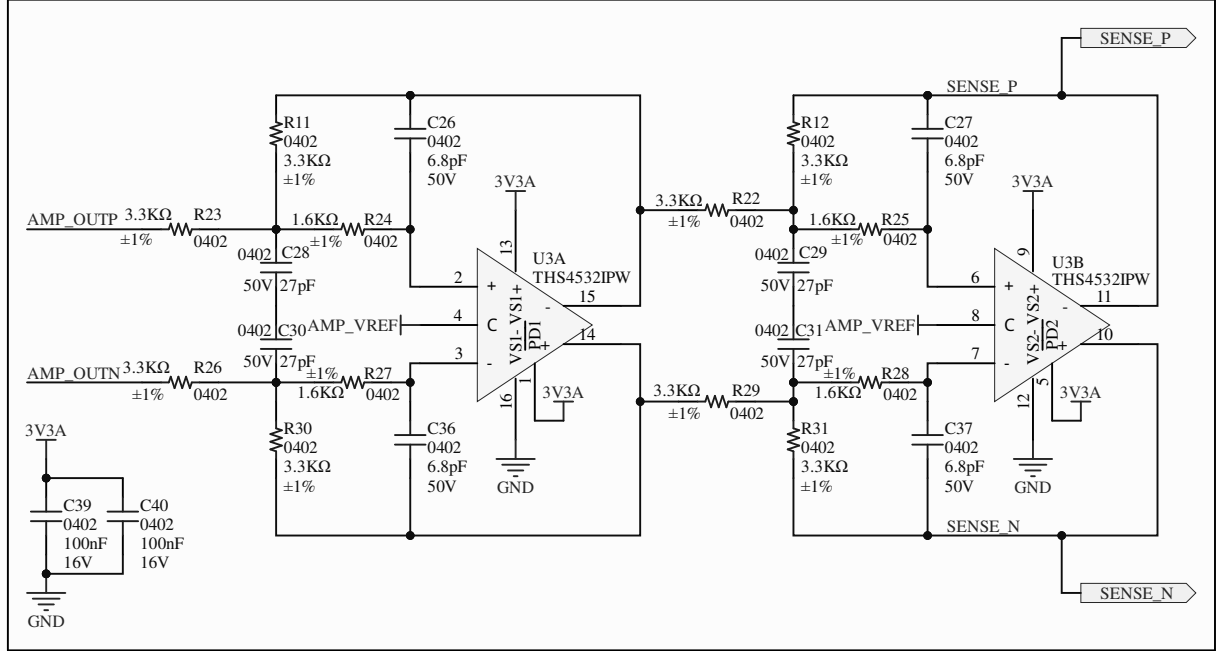
Project:		ESP_CPA			
File:		FPGA.SchDoc			
Size:	A4	Notes:		Revision:	2.1
Date:	26/08/2023		Sheet:	2 of 6	
This work is licensed under a Creative Commons Attribution-ShareAlike 4.0 International License.					



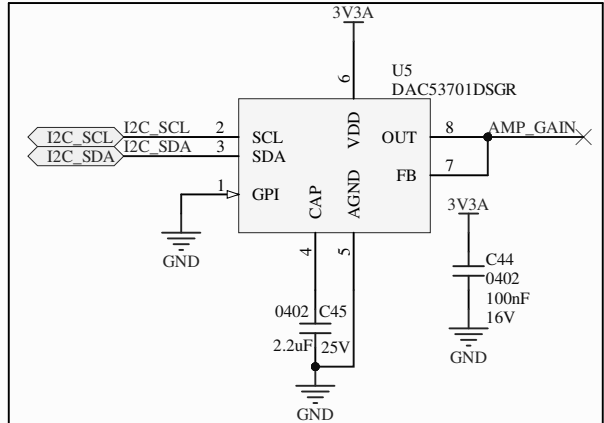
Amplifier



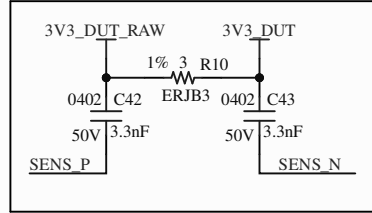
Anti-aliasing filter



Gain Control

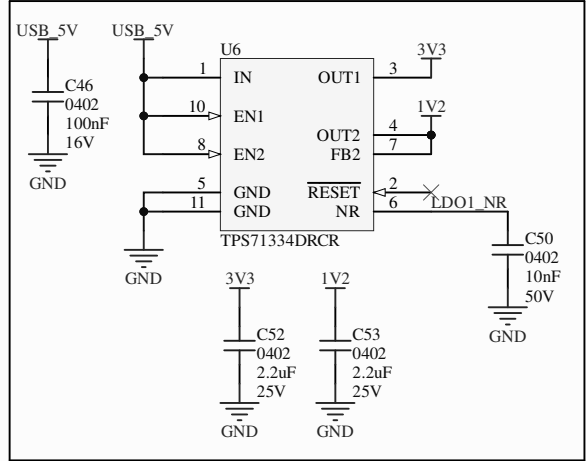


Current Shunt

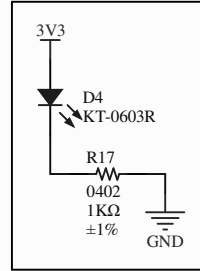


Project: ESP_CPA			
File: CURRENT_SENSE.SchDoc			
Size: A4	Notes:	Revision: 2.1	
Date: 26/08/2023		Sheet: 3 of 6	
This work is licensed under a Creative Commons Attribution-ShareAlike 4.0 International License.			

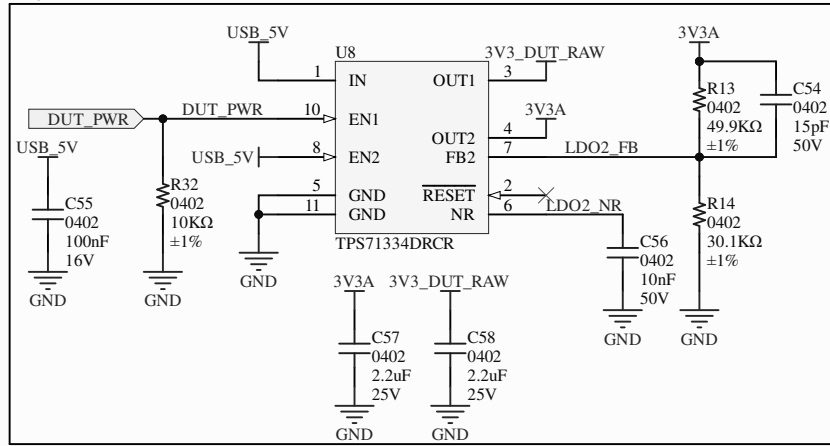
LDO1



Power Indicator

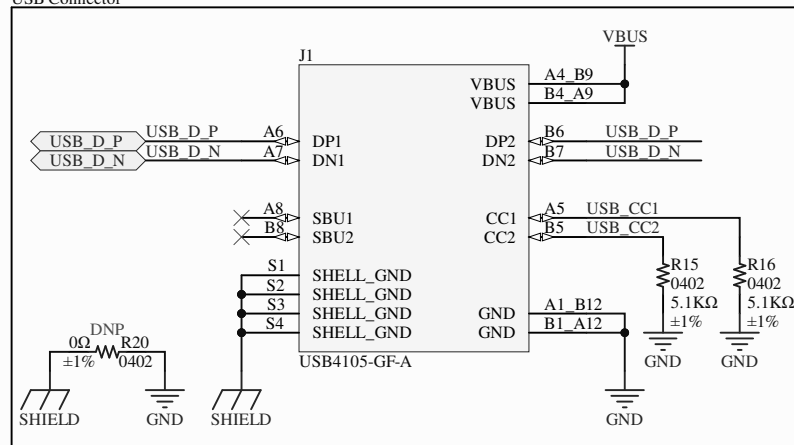


LDO2

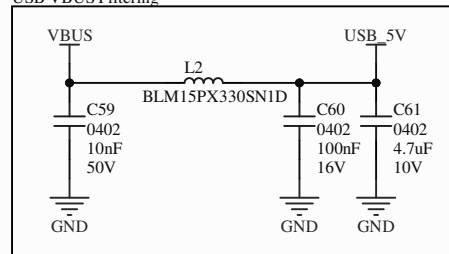


Project: ESP_CPA			
File: POWER.SchDoc			
Size: A4	Notes:	Revision: 2.1	
Date: 26/08/2023		Sheet: 4 of 6	
This work is licensed under a Creative Commons Attribution-ShareAlike 4.0 International License.			

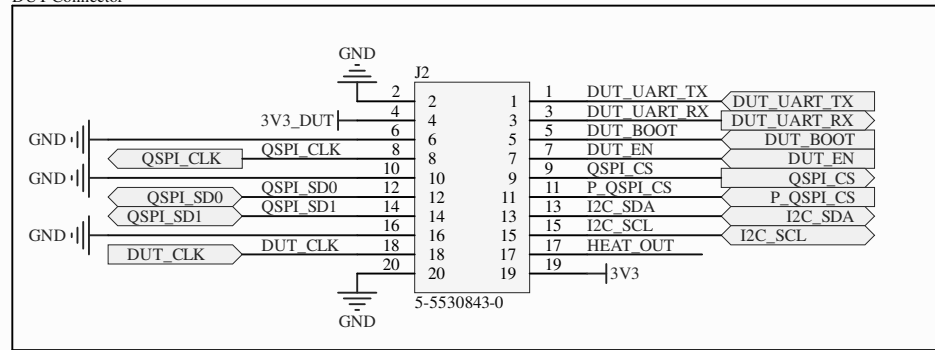
USB Connector



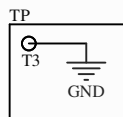
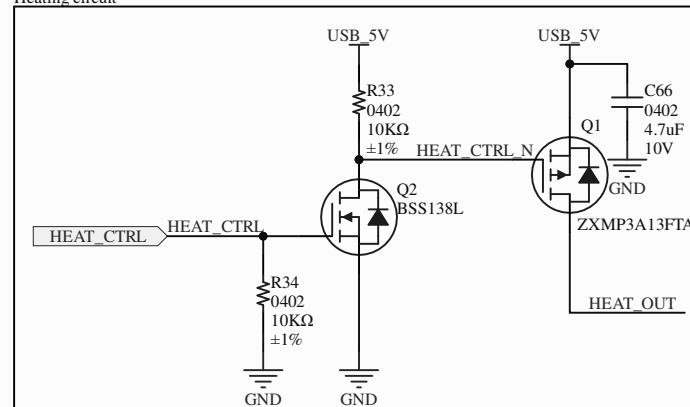
USB VBUS Filtering



DUT Connector

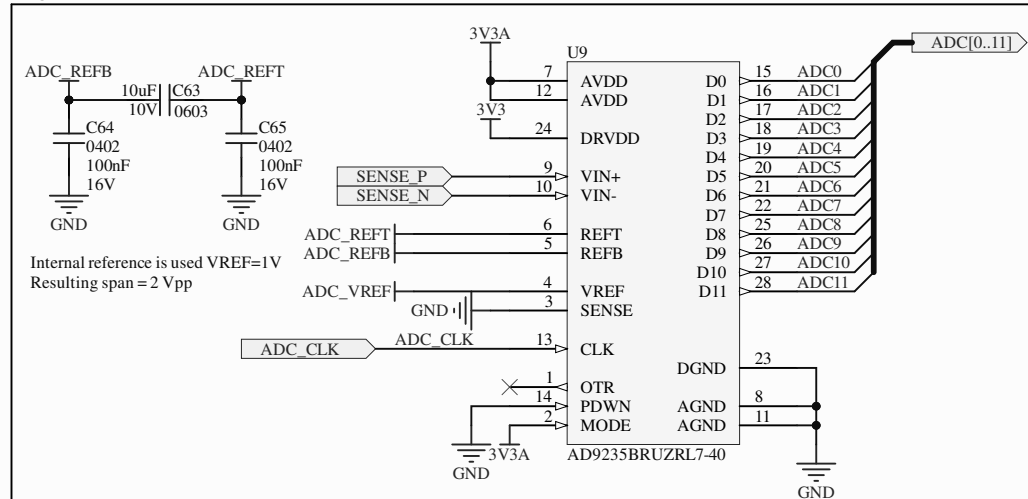


Heating circuit

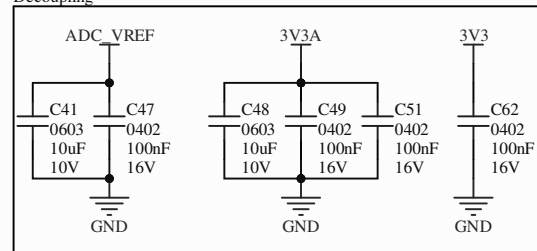


Project: ESP_CPA			
File: CONNECTORS.SchDoc			
Size: A4	Notes:	Revision: 2.1	
Date: 26/08/2023	Sheet: 5 of 6		
This work is licensed under a Creative Commons Attribution-ShareAlike 4.0 International License.			

ADC



Decoupling



Project: ESP_CPA			
File: ADC.SchDoc			
Size: A4	Notes:	Revision: 2.1	
Date: 26/08/2023		Sheet: 6 of 6	
This work is licensed under a Creative Commons Attribution-ShareAlike 4.0 International License.			